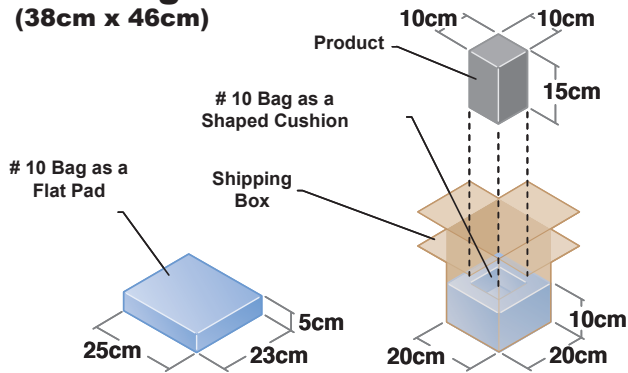


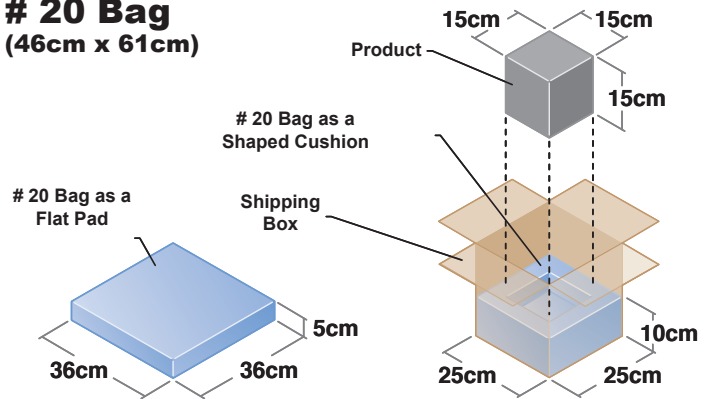
Instapak Quick® RT

Foam Packaging - Bag Volumetric Guide

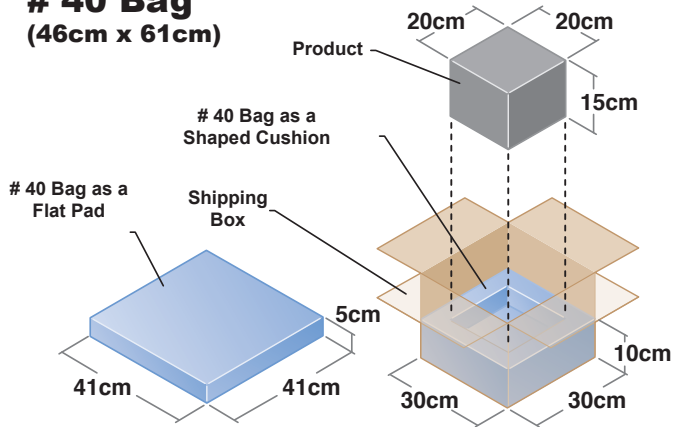
10 Bag (38cm x 46cm)



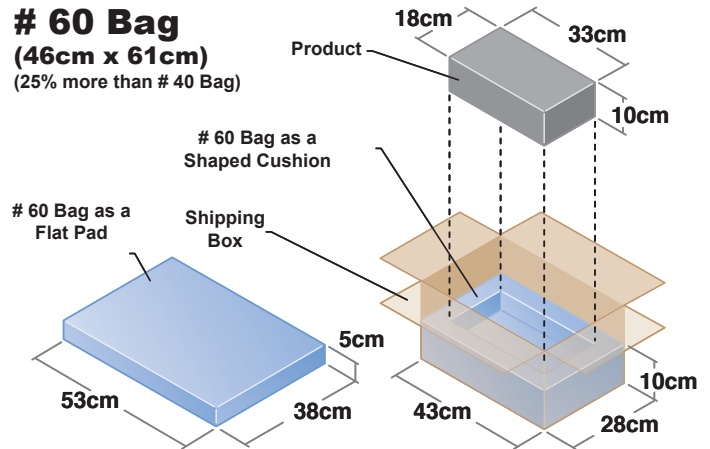
20 Bag (46cm x 61cm)



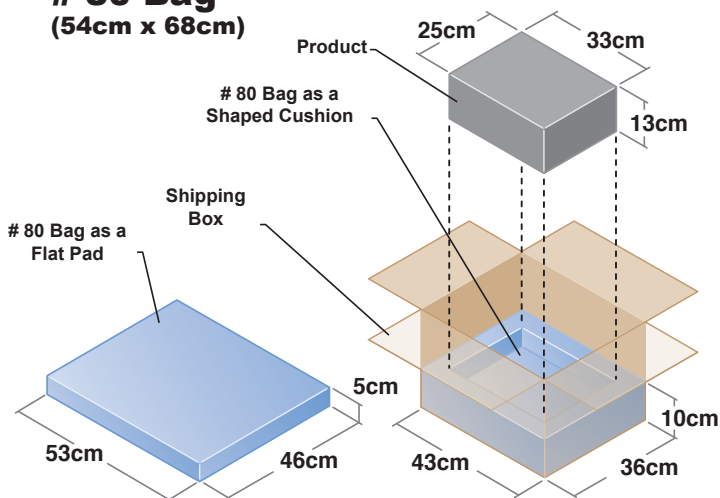
40 Bag (46cm x 61cm)



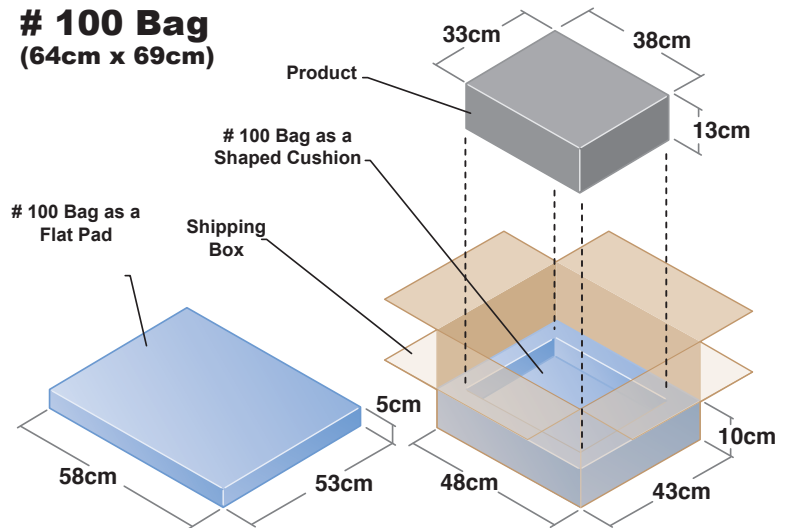
60 Bag (46cm x 61cm) (25% more than # 40 Bag)



80 Bag (54cm x 68cm)



100 Bag (64cm x 69cm)



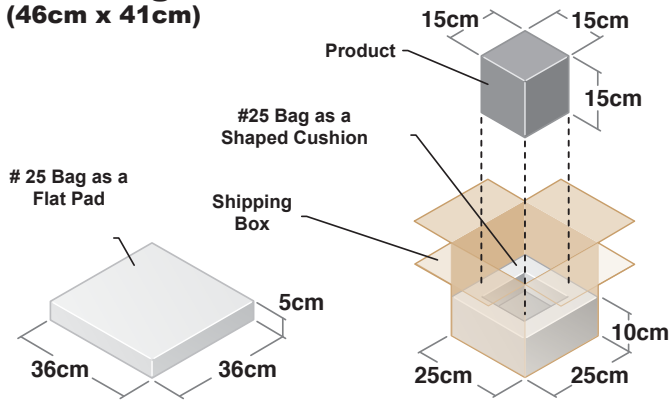
Note: This guide illustrates approximate Instapak Quick® RT cushion volumes. These volumes may vary with box size, product size and packaging technique

Note: Due to their shape and size, some products may require more than two Instapak Quick® RT foam bags for adequate protection. This is a common occurrence when using the foam-in-bag packaging process.

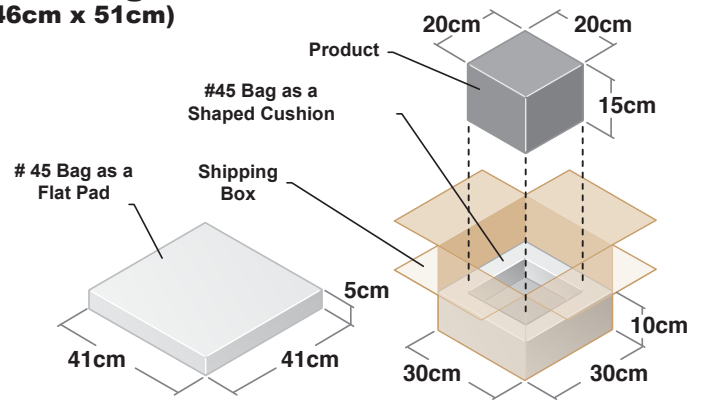
Instapak Quick Tuff® RT

Foam Packaging - Bag Volumetric Guide

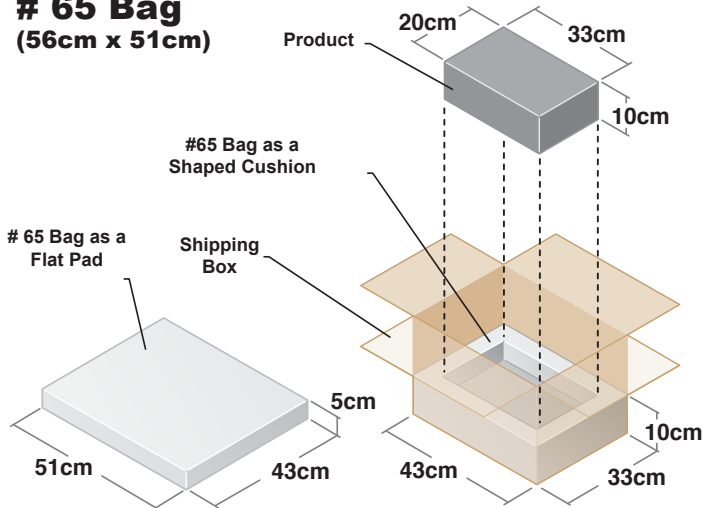
25 Bag (46cm x 41cm)



45 Bag (46cm x 51cm)





65 Bag (56cm x 51cm)



Instapak Quick® RT and Instapak Quick Tuff® RT foam packaging are fast, flexible, and easy-to-use packaging materials that provide superior protection for your products. Both are ideal for cushioning, blocking and bracing applications, and for producing moulded cushions.

This information is provided solely as a guide. Variables including product shape, product fragility and cushioning thickness may impact the performance of the packaging material. The user should test the application to determine the suitability of Instapak Quick® RT and Instapak Quick Tuff® RT foam packaging for the intended use.

 **Note:** This guide illustrates approximate Instapak Quick Tuff® RT cushion volumes. These volumes may vary with box size, product size, and packaging technique.

 **Nota:** Due to their shape and size, some products may require more than two Instapak Quick Tuff® RT foam bags for adequate protection. This is a common occurrence when using the foam-in-bag packaging process.